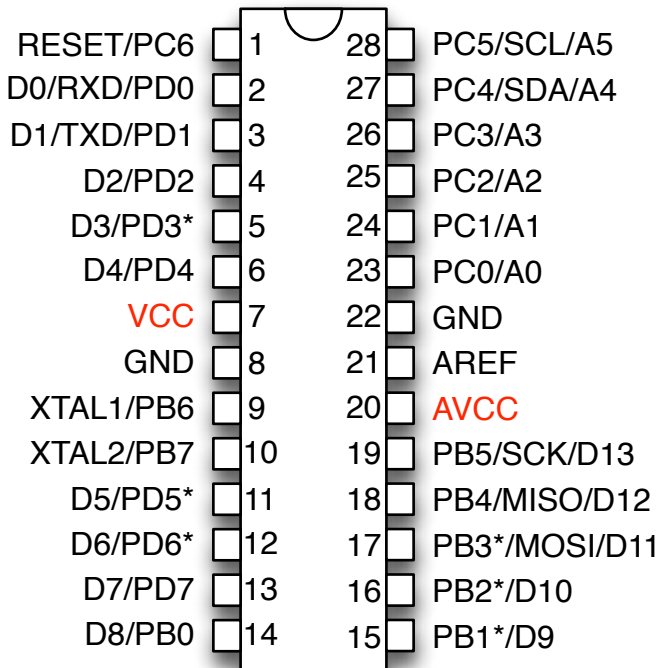
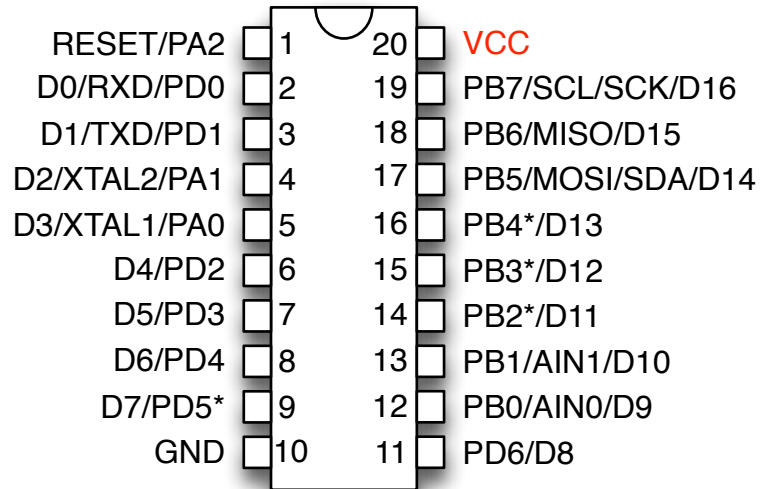


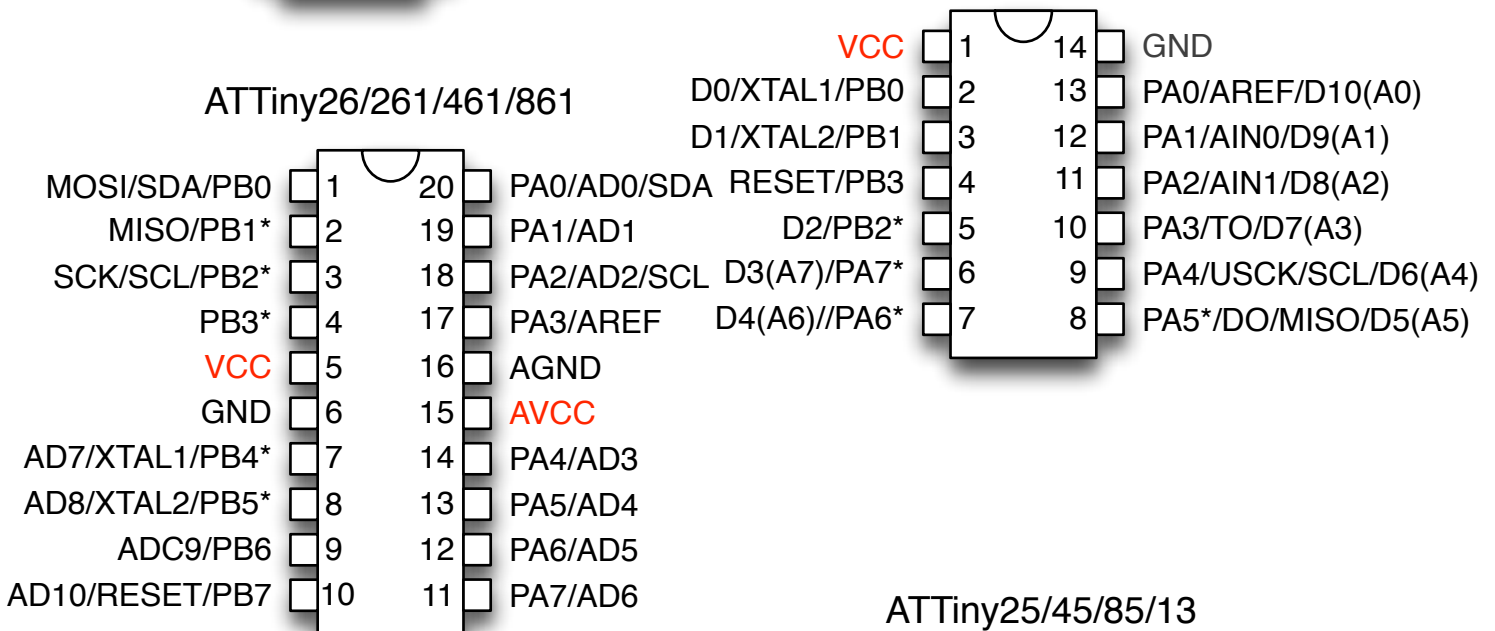
ATMega8/48/88/168/328/Arduino



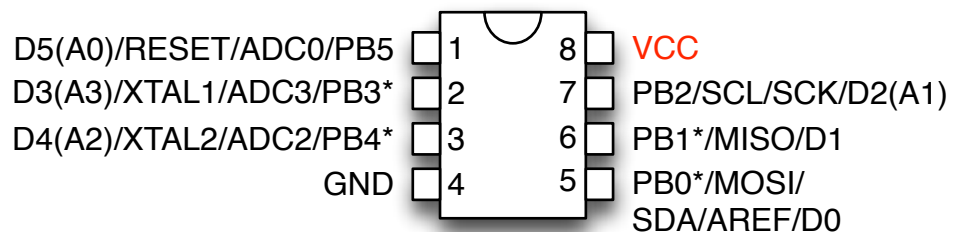
ATTiny2313/4313



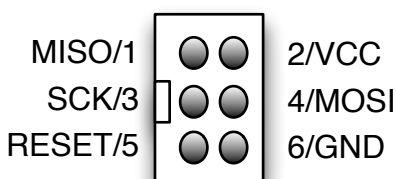
ATTiny24/44/84



ATTiny25/45/85/13



ISP Header



NOTES:

- Arduino pins for ATTinyX313/X5/X4 are from the arduino-tiny project
- PWM pins are marked with (*)

- *ATTiny13 has PWM only on PB0 and PB1
- * No AREF on ATTiny13
- * PB3 and PB4 share the same timer